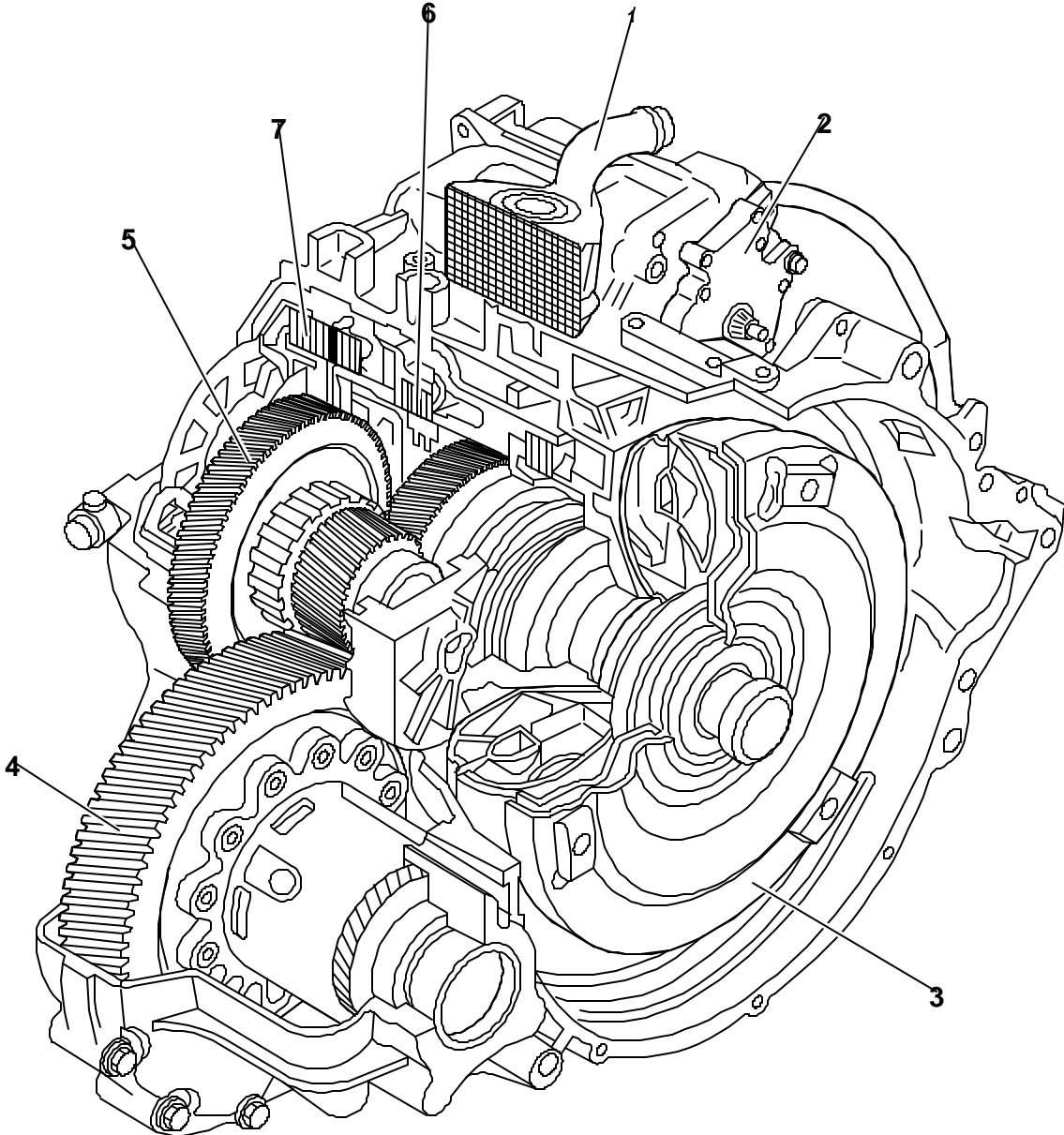


presentation : 4HP20 automatic gearbox

1 Presentation



- Fig. : 1 -

(1) water to oil heat exchanger.

(2) multifunction switch (CMF).

(3) torque converter.

(4) differential.

(5) reduction gear.

(6) brake.

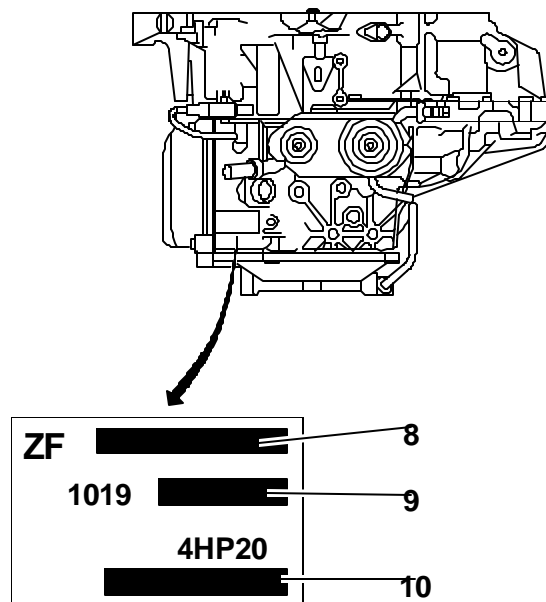
(7) clutch.

The 4HP20 gearbox is a transverse automatic gearbox with 4 forward gears and electronically controlled gear selection designed and manufactured by ZF.

The 4HP20 gearbox is fitted with an auto-adaptive ECU used for managing the converter, gear changes and specific programs.

2 Identification

2.1 Gearbox



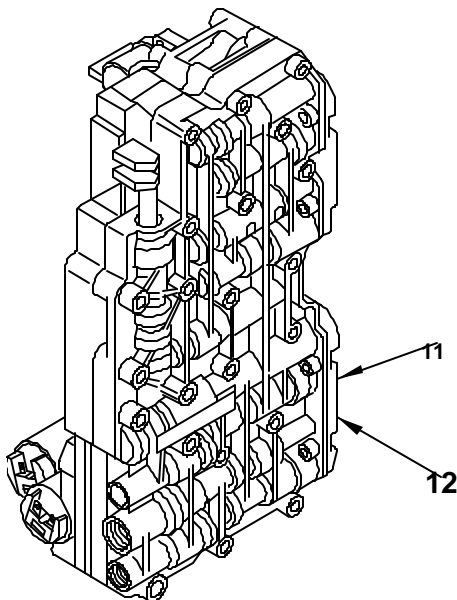
- Fig. : 2 -

(8) the serial number.

(9) ZF parts list number.

(10) component number.

2.2 Hydraulic valve block connections

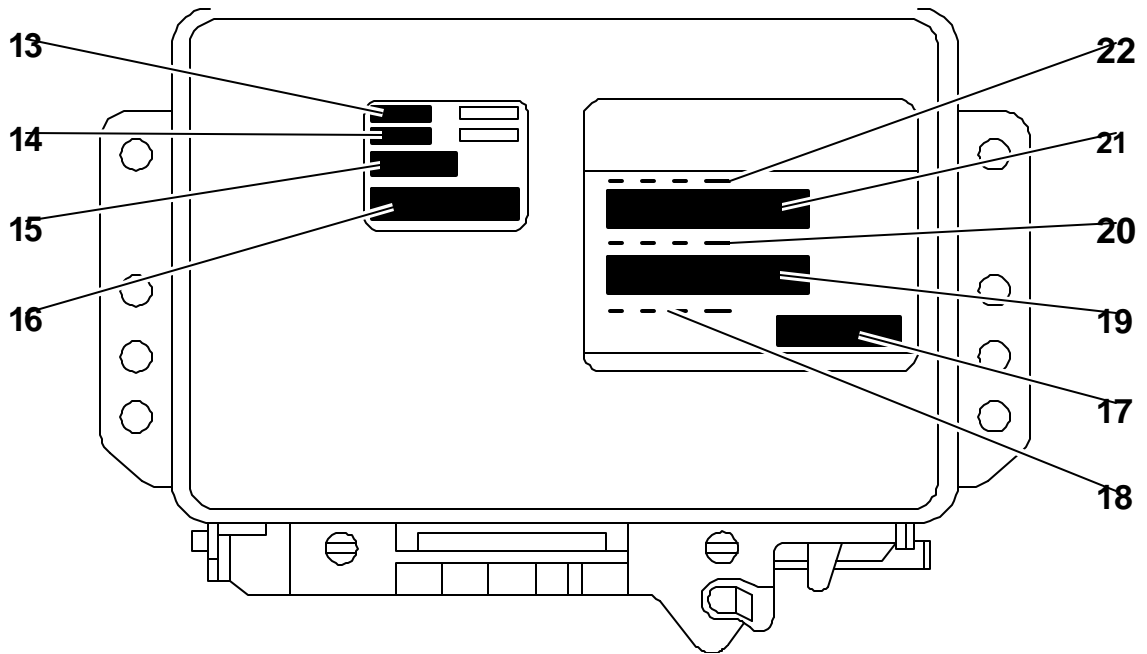


- Fig. : 3 -

(11) date of manufacture.

(12) ZF parts list number.

2.3 ECU



- Fig. : 4 -

(13) equipment status (hardware status).

(14) status of program data (software status).

(15) date of manufacture.

(16) the serial number.

(17) reference.

(18) customer number.

(19) customer number barcode.

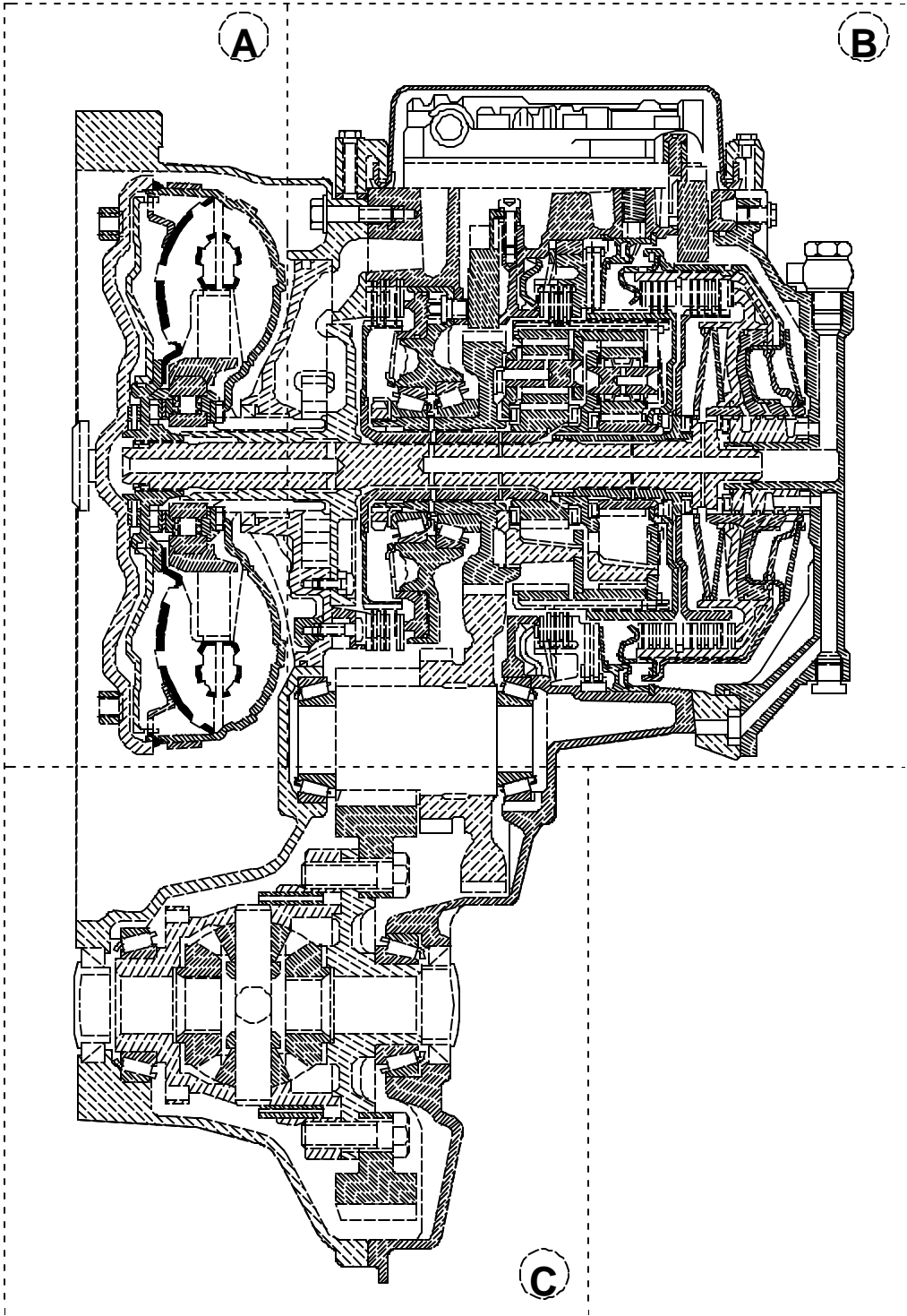
(20) ZF parts list number.

(21) ZF barcode number.

(22) order number.

N.B. : The ECU identification is located in the identification menu of the diagnostic tool.

3 Description



- Fig. : 5 -

The gearbox is essentially composed of 3 elements :

- A : the converter housing
- B : the mechanism housing
- C : the differential housing